



NEW WARE NEWSLETTER

NEW MASKS JULY 2024

NWAM1236 1/ 72 Noorduyn Norseman Mk.IV kabuki masks	Dora Wings
NWAM1237 1/ 72 CASA C-295M BASIC kabuki masks	Answer
NWAM1238 1/ 72 CASA C-295M ADVANCED kabuki masks	Answer
NWAM1239 1/ 48 Su-30 MKM/ MK/ MKA/ SME/ MKI EXTERIOR kabuki masks	G.W.H

NWAM1236

1/72 scale



Noorduyn Norseman Mk.IV kabuki masks

for Dora Wings DW72034 kit

<http://mek.kosmo.cz/newware>

tom.nwkits@seznam.cz

Important:

Let the sprayed color dry before applying masks. Remove masks very carefully after painting.

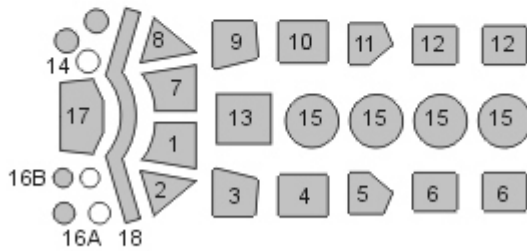
Where the mask is divided into A and B parts, first apply part A, next part B.

The set does not include masks for all areas, so mask the rest with masking tape or liquid mask.

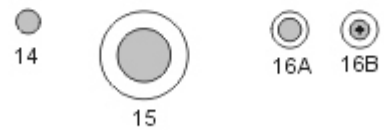
K kit part

^ start placing the mask from this point

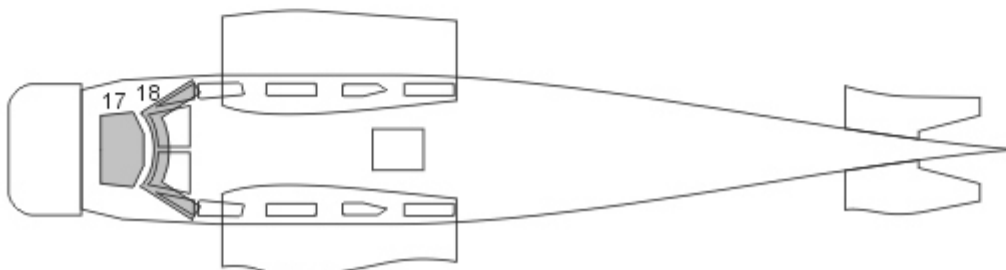
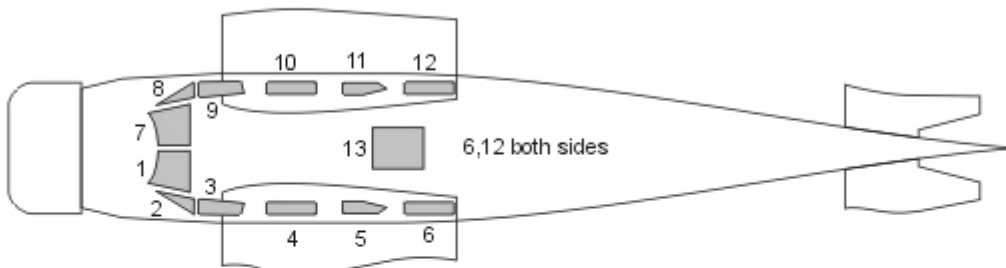
Placing wet masks on wet surface is recommended, except those marked by **W**



K F6,7 K C15,16,26,27 K C24 K C23



WHITE - SPARE MASKS





CASA C-295M BASIC kabuki masks

for Answer AA72010, AA72031, AA72033 and derivated kits

<http://mek.kosmo.cz/newware>

tom.nwkits@seznam.cz

Important:

Let the sprayed color dry before applying masks. Remove masks very carefully after painting.

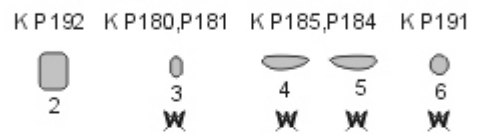
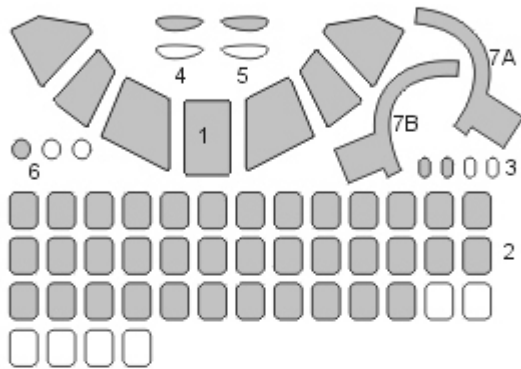
Where the mask is divided into A and B parts, first apply part A, next part B.

The set does not include masks for all areas, so mask the rest with masking tape or liquid mask.

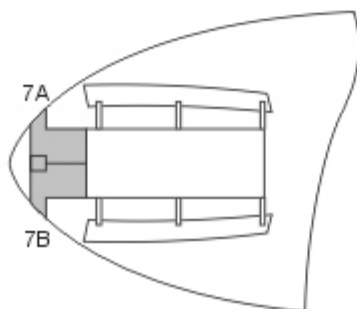
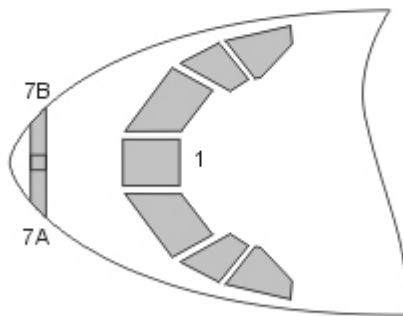
K kit part

* start placing the mask from this point

Placing wet masks on wet surface is recommended, except those marked by **W**



WHITE - SPARE MASKS





NWAM1238

CASA C-295M ADVANCED kabuki masks

for Answer AA72010, AA72031, AA72033 and derivated kits

<http://mek.kosmo.cz/newware>

Includes also windows
seal and propeller
blades masks

1/72 scale

tom.nwkits@seznam.cz

Important:

Let the sprayed color dry before applying masks. Remove masks very carefully after painting.

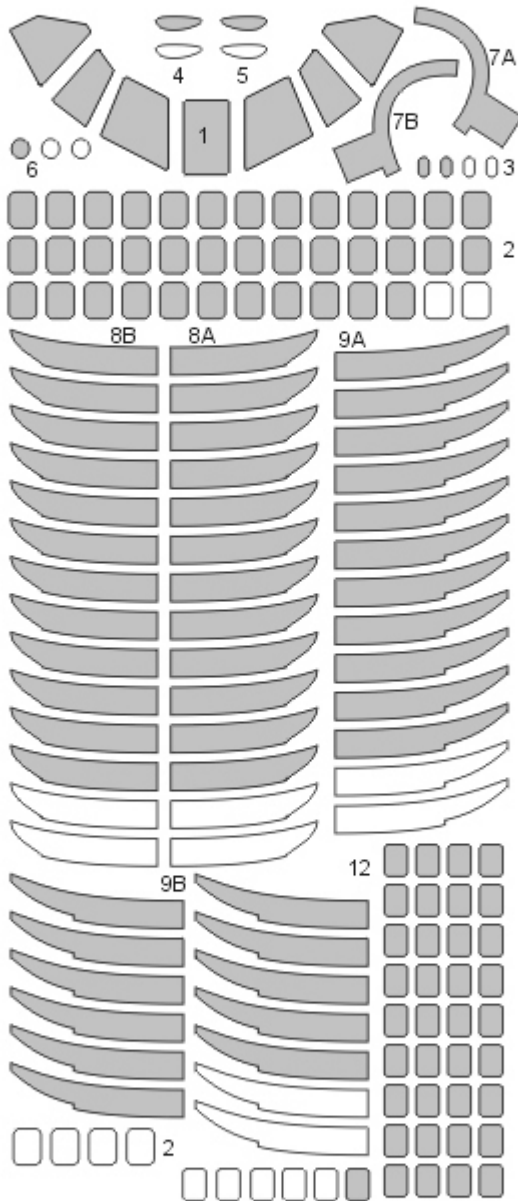
Where the mask is divided into A and B parts, first apply part A, next part B.

The set does not include masks for all areas, so mask the rest with masking tape or liquid mask.

K kit part

* start placing the mask from this point

Placing wet masks on wet surface is recommended, except those marked by **W**



K P192

Step 1 - paint black

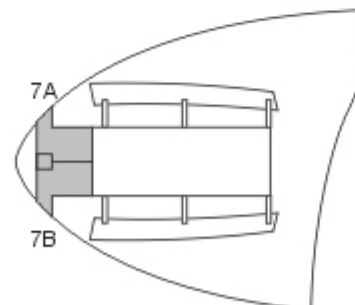
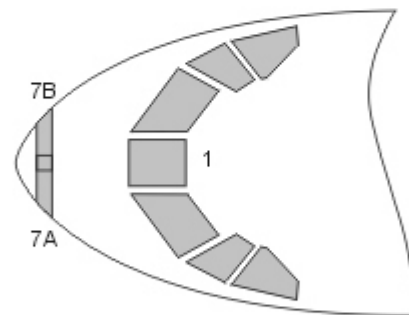


12

Step 2 - paint camouflage color



2

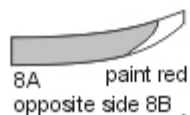


WHITE - SPARE MASKS

propeller blades
K L45, L46



Step 1



Step 2





Su-30 MKM/MK/MKA/SME/MKI EXTERIOR kabuki masks

for G.W.H L4831 and L4826 kits

<http://mek.kosmo.cz/newware>

tom.nwkits@seznam.cz

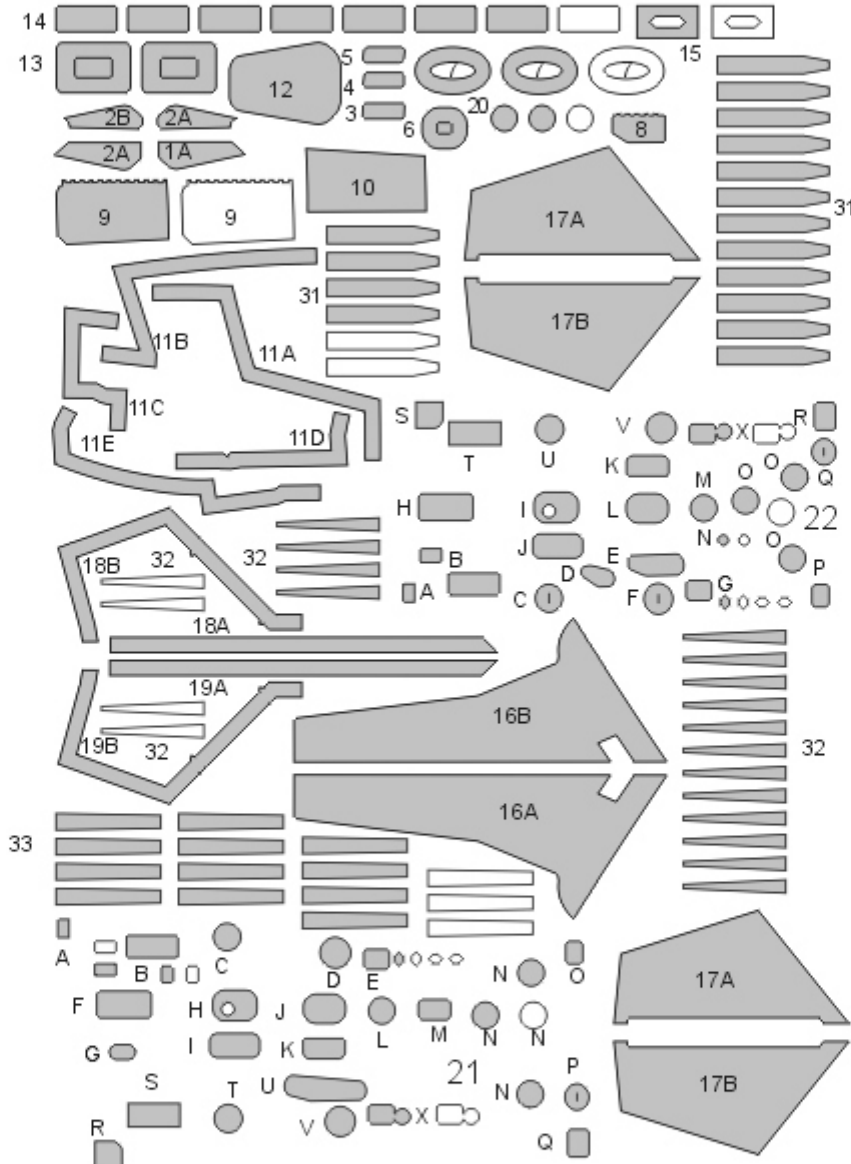
Important:

Let the sprayed color dry before applying masks. Remove masks very carefully after painting.
 Where the mask is divided into A and B parts, first apply part A, next part B.
 The set does not include masks for all areas, so mask the rest with masking tape or liquid mask.

K kit part

* start placing the mask from this point

Placing wet masks on wet surface is recommended, except those marked by **W**



WHITE - SPARE MASKS

